

# Robertshaw®

# 9600

PROGRAMMABLE  
THERMOSTAT



5 - 2 Day Programmable  
1 Heat / 1 Cool

## Affordable Comfort Control

The Robertshaw 9600 programmable thermostat is the perfect solution to keeping your home comfortable year-round. Not only that, setting back your thermostat twice each day can reduce energy costs up to 25%. **Set it and save.** Today's busy lifestyle demands hands-free temperature control, and with a programmable thermostat, you've got it. At the touch of a button, set your weekly program for summer and winter upon installation. You will always come home to a comfortable setting, and you'll save energy without even thinking about it.

The 9600 is compatible with all standard 24 Volt AC heating and cooling systems.

When you select a Robertshaw thermostat, you've made the choice of an industry partner that's been making quality products for 100 years. Come home to affordable comfort. Come home to Robertshaw<sup>SM</sup>.

## Features and Benefits

### Automatic Compressor Short Cycle Protection

A system safeguard. Reduces wear and tear of HVAC equipment.

### Weekly 5 - 2 Day Programming

Set your weekly program once with four time and temperature settings. The four set points are followed for 5 consecutive days. On the weekend, both mid-day settings are automatically eliminated for all day comfort.

### Adjustable Temperature Differential

Maintains optimal customer comfort.

### Temporary Program Override

Allows for manual temperature adjustment.

### Low Temperature Protection

Heat automatically turns on when temperature goes below 40°F. Protects pipes from freezing.

### Toll-Free Assistance

Toll-Free Technical Service number printed right on the thermostat provides immediate assistance.

### Quick Wire Terminal Block

Fast and easy installation. Uses sturdy wire clamps – no wrap-around of screws.



Technical service available:  
1-800-445-8299  
M-F 7:30 a.m. - 5:30 p.m. CST



# Robertshaw®

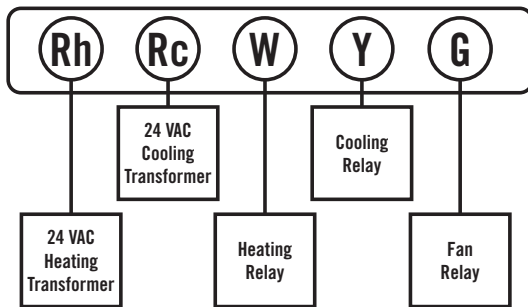
# 9600

PROGRAMMABLE  
THERMOSTAT



GAS ELECTRIC

## Terminal Designations



5 - 2 Day Programmable  
1 Heat / 1 Cool

THE ROBERTSHAW 9600 REPLACES:

Robertshaw	300-252
White-Rodgers Company*	1F80-51
Honeywell, Inc.*	T8700C, T8112, T8131C T8132C, T8000C, T8001C

\* Verify specific application requirements before substitution.

## Specifications

Electrical rating: 24 Volt AC (18-30 VAC)  
1 amp maximum load per terminal  
2 amp total maximum load (all terminals combined)  
Temperature control range: 45° - 90°F (7° - 32°C)  
Accuracy: +/-1°F (+/- .5°C)  
DC power: 3.0 VDC (2 "AA" alkaline batteries included)  
System configurations: 2-5 wire single stage gas, oil,  
or electric systems  
Terminations: Rh, Rc, W, Y, G

## Shipping Information

Indiv. Ctn. Dim.: 6.75" x 4.375" x 1.625"  
Master Ctn. Qty.: 6  
Master Ctn. Dim.: 9.25" x 5.625" x 7.625"  
Master Ctn. Cu. Ft.: 0.23  
Master Ctn. Wt.: 4.0 lbs.  
Max. Pallet Qty.: 1170  
Max. Pallet Dim.: 40" x 48" x 48"  
Max. Pallet Cu. Ft.: 53.33  
Max. Pallet Wt.: 835 lbs.

## Other Single-Stage Heat / Cool Thermostats

9200: Mercury-Free Deluxe Mechanical  
9400: Digital, Non-Programmable  
9610: Programmable, 7 Day  
9701i: Deluxe Programmable, 7 Day

Distributed by:

 **Invensys™**

Climate Controls Americas  
515 South Promenade Avenue  
Corona California 92879-1736 USA  
Telephone +1 800 304 6563 Facsimile +1 800 426 0804  
Outside the USA +1 909 734 2600  
Technical Service Telephone +1 800 445 8299  
[www.icca.invensys.com](http://www.icca.invensys.com)  
©2003 Climate Controls Americas 6/03 - #150-1401H