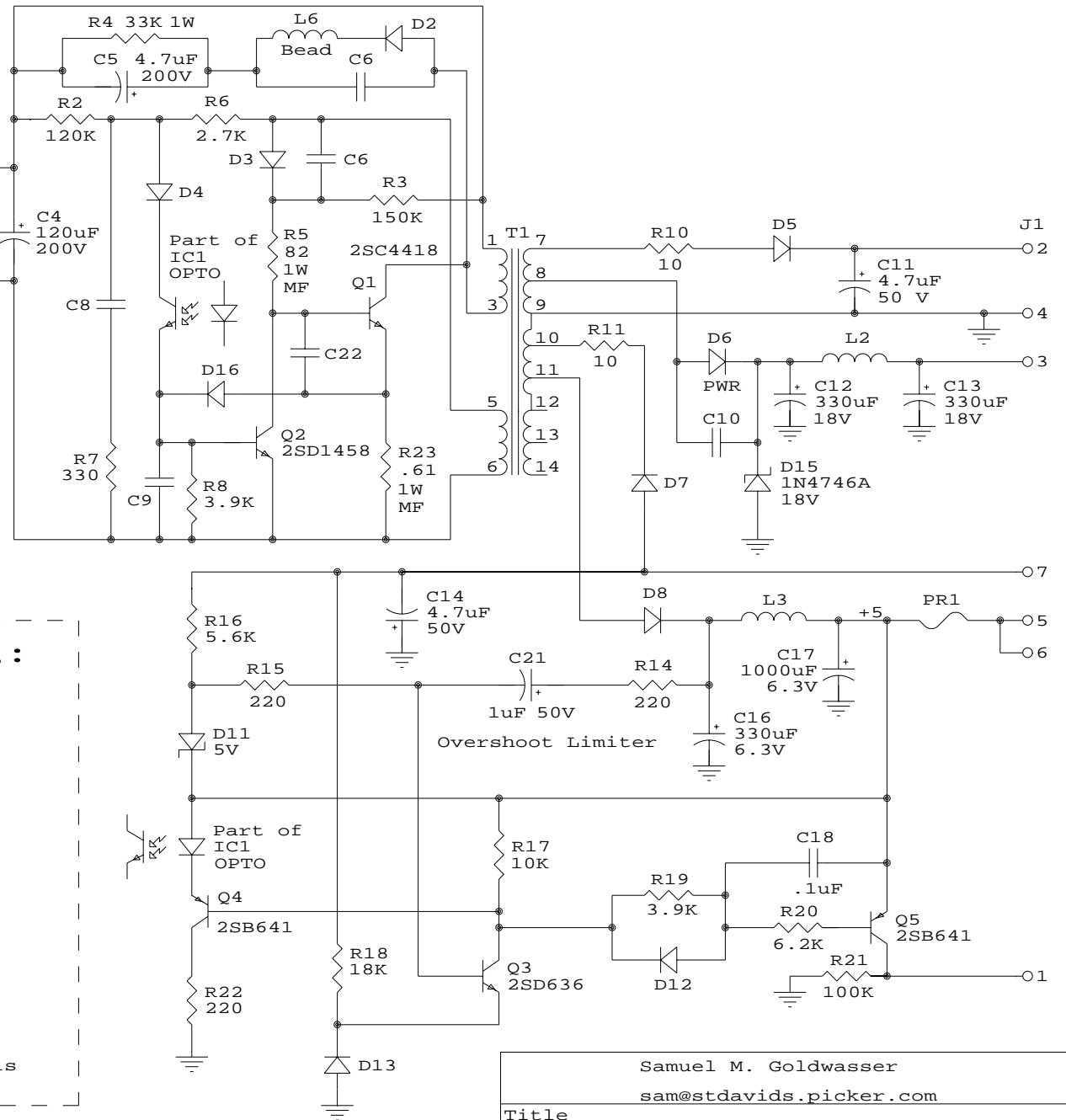


VCRPS

Measured Voltages:

Pin	Voltage
1	+5.1
2	+45.6
3	+15.3
4	0
5	+5.1
6	+5.1
7	-31.7
8*	-24.3
9*	-21.8

* Outputs not present in all models



Samuel M. Goldwasser

sam@stdavids.picker.com

Title

Panasonic VCR Power Supply

Size Document Number

A VCRPS-SCH

REV

1.2

Date: April 6, 1998 Sheet 1 of 1