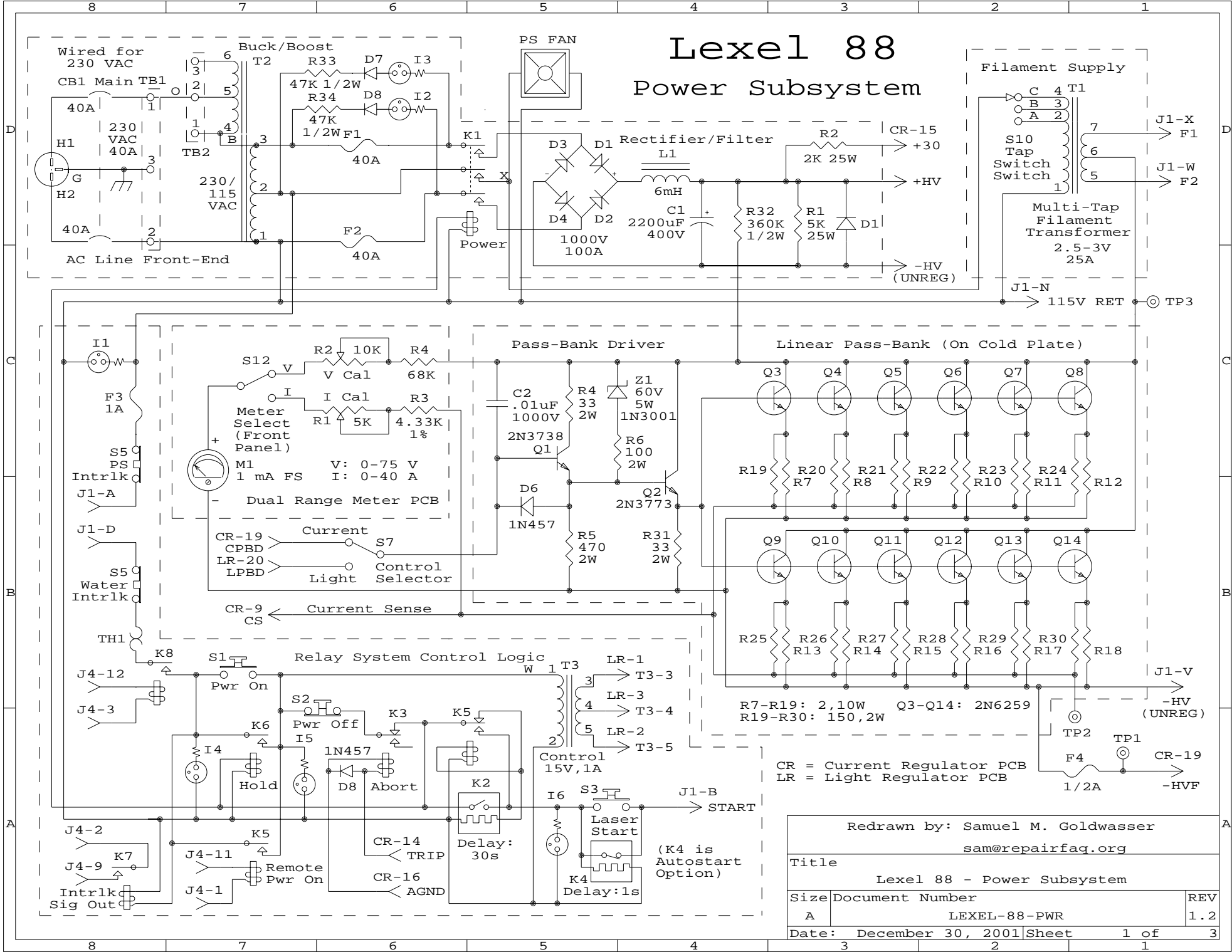


# Lexel 88 Power Subsystem



CR = Current Regulator PCB  
LR = Light Regulator PCB

Redrawn by: Samuel M. Goldwasser		
sam@repairfaq.org		
Title		
Lexel 88 - Power Subsystem		
Size	Document Number	REV
A	LEXEL-88-PWR	1.2
Date:	December 30, 2001	Sheet 1 of 3