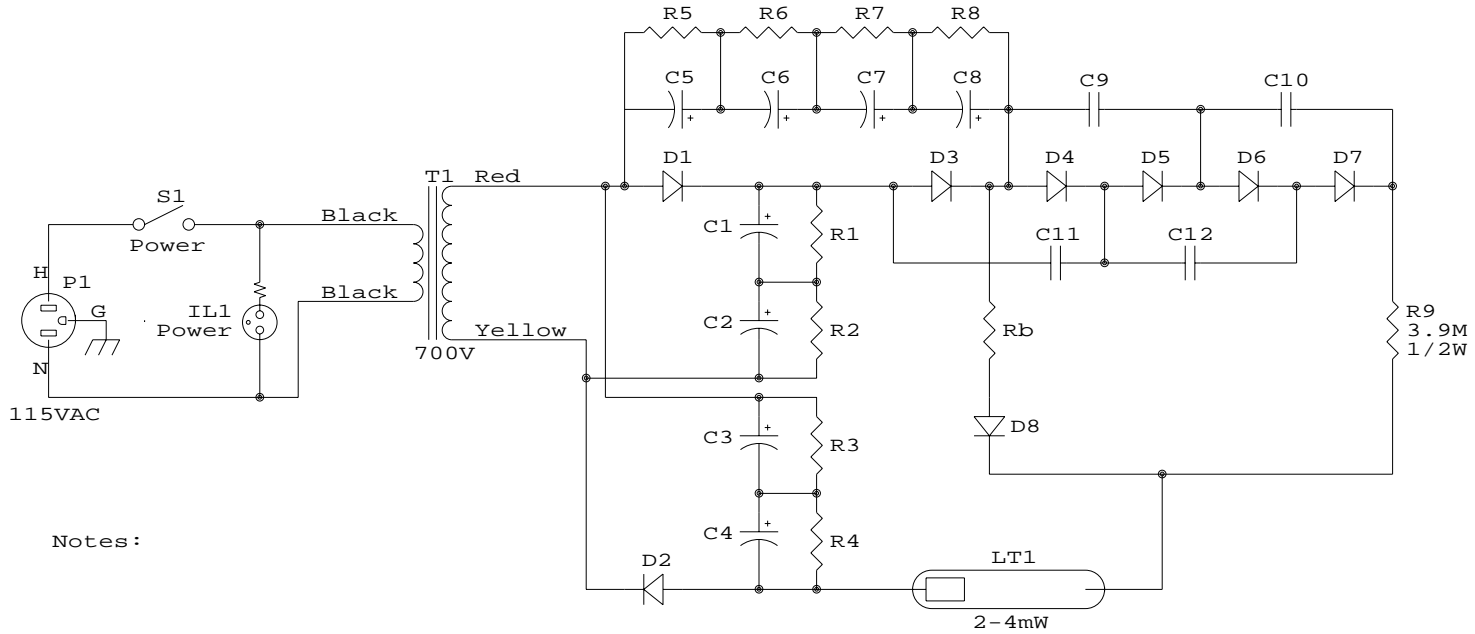


Metrologic ML420 HeNe Laser PSU (ML-420)



Notes:

1. Part designations are arbitrary. PCB unmarked.
2. Resistors are 1/2W unless otherwise noted.
3. T1 output measured.
4. D7, C12, and 1 diode of D5 and D6 not installed.
5. This circuit is strange. :-)

D1-D8: 3x1N4007
 C1-C8: 5uF, 450V
 C9-C12: 1nF, 2kV
 R1-R8: 1M, 1/2W
 Rb: 7x(33k, 2W)

Drawn by: Samuel M. Goldwasser sam@repairfaq.org		
Title Metrologic ML420 HeNe Laser PSU (ML-420)		
Size	Document Number	REV
A	ML-420-SCH	1.0
Date:	February 7, 2007	Sheet 1 of 1