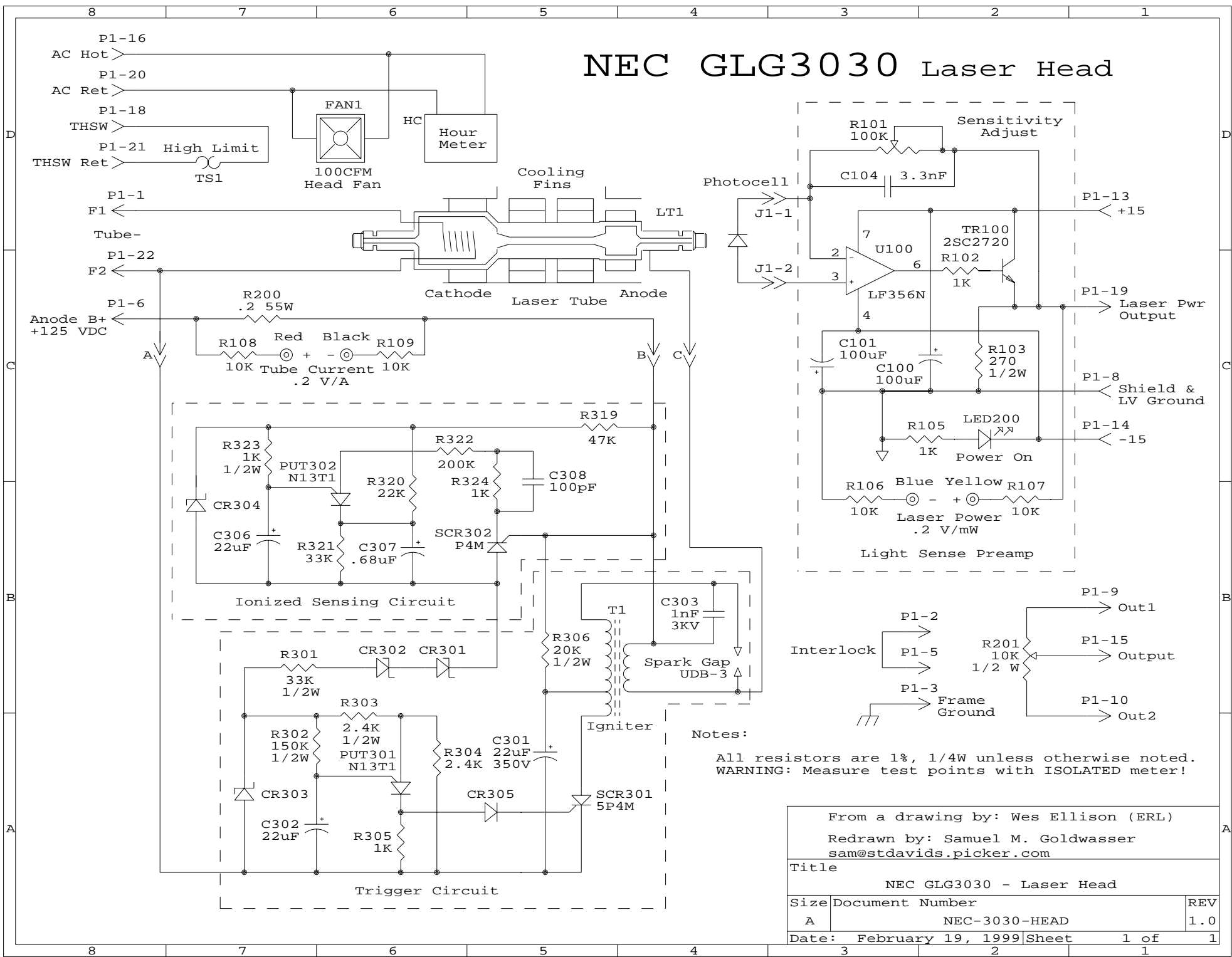


# NEC GLG3030 Laser Head



Notes:  
 All resistors are 1%, 1/4W unless otherwise noted.  
 WARNING: Measure test points with ISOLATED meter!

From a drawing by: Wes Ellison (ERL)		
Redrawn by: Samuel M. Goldwasser sam@stdavids.picker.com		
Title NEC GLG3030 - Laser Head		
Size	Document Number	REV
A	NEC-3030-HEAD	1.0
Date:	February 19, 1999	Sheet 1 of 1