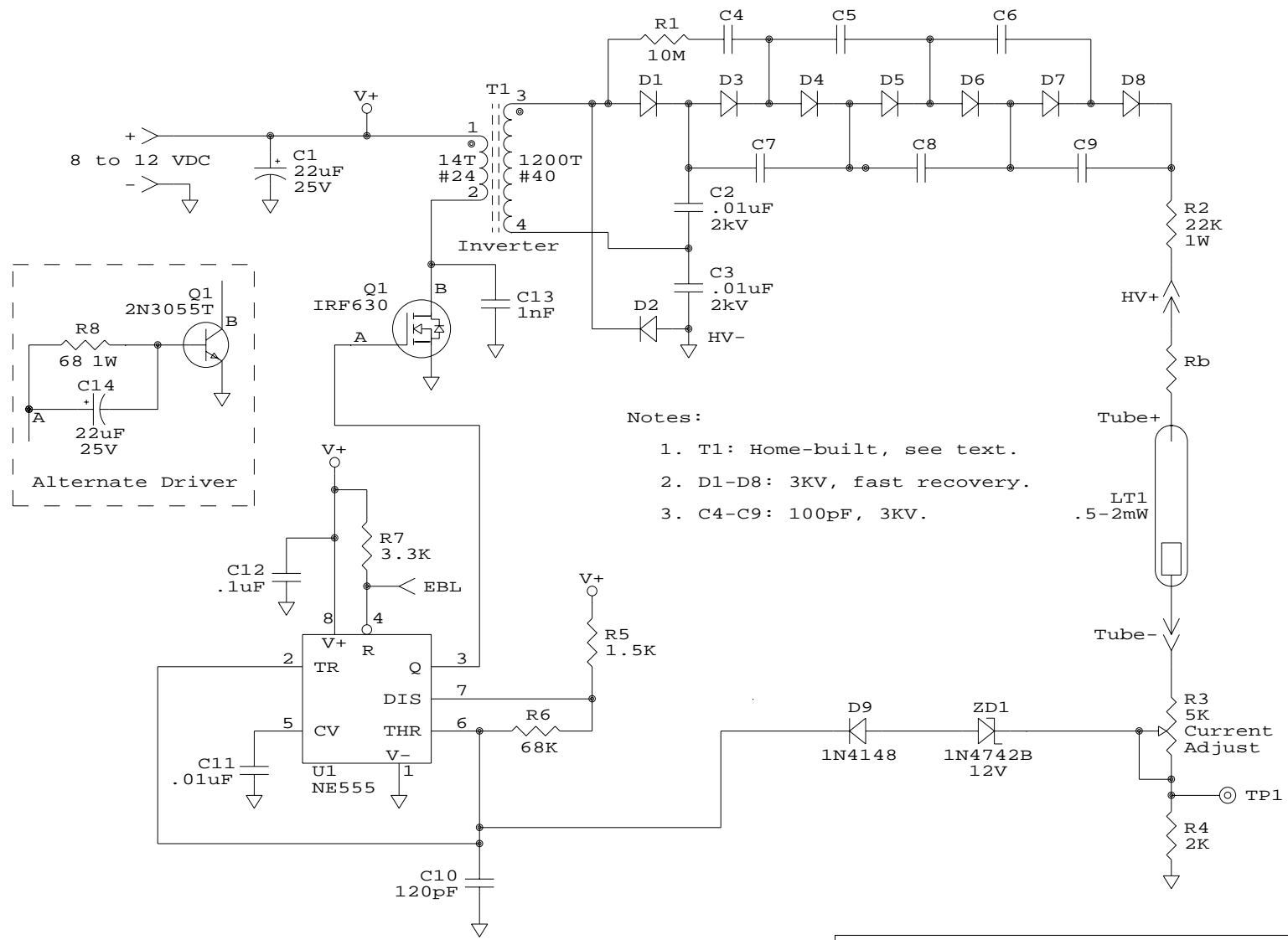


Sam's Inverter HeNe Laser PSU 3 (SG-HI3)



- Notes:
1. T1: Home-built, see text.
 2. D1-D8: 3KV, fast recovery.
 3. C4-C9: 100pF, 3KV.

Variable Frequency Oscillator

Samuel M. Goldwasser		
sam@repairfaq.org		
Title		
Sam's Inverter HeNe Laser PSU 3 (SG-HI3)		
Size	Document Number	REV
A	SG-HI3-SCH	1.1
Date:	July 25, 2000	Sheet 1 of 1